

Under the plan ANDERSON FUEL will replace, repair with new or re-manufactured parts (as indicated on the diagram), those parts which may become defective through normal use. Parts not covered will be replaced on a time and material basis and are guaranteed for one year.

Our obligation to supply heating oil parts is based on availability through normal source of supply.

The plan is subject to inspection and acceptance by ANDERSON FUEL up to and including the first visit by a service technician.

In order for ANDERSON FUEL to provide the best possible service, the customer is responsible for maintaining adequate ventilation necessary for combustion and access to the oil-fired heating appliance, fuel supply tank(s), and associated areas.

Renewal: The Plan will automatically renew on its anniversary date unless terminated in writing by either party 10 days prior to expiration.

**Please call the Office to schedule your yearly maintenance.**

### The Plan Does NOT Cover:

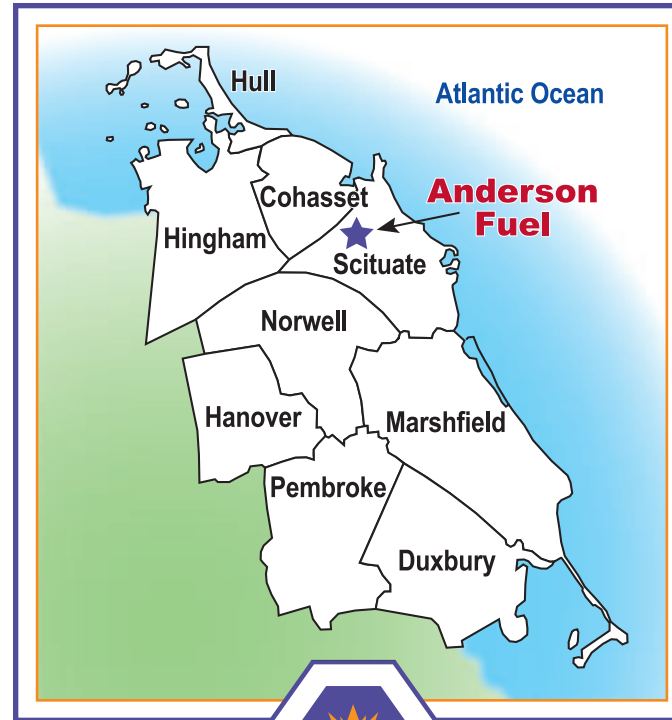
- Parts or labor for damage caused by fire, flood, wind, water, accidents, acts of war, terrorism, strike, freezing, generators, power outages/spikes, tampering, vandalism, vacancy,\* customer negligence, or acts of God.
- Parts or labor through which the heating medium: water, air or steam is in contact with or passes through except where noted.

Additional exclusions include:

- Adjusting thermostats/batteries, turning on switches, replacing fuses or resetting circuit breakers.
- Modernization of the boiler, burner, furnace, and/or controls.
- Damages to parts and/or property due to customer negligence of vacant or unattended property.\*
- Modifications to the heating appliance and related parts necessary to meet state or federal code requirements.
- Purging air from Heating Systems/Zones
- Air-conditioning systems or associated parts.
- Electronic relay circuit boards.
- Electronically Commutated Motors (ECM).
- Oil tanks/tank legs, oil lines, oil de-aerators, and any part in conjunction with said equipment.
- Domestic hot water tanks/tankless coils and components.
- Low Water Cut-offs, Circulating Pumps, Zone Valves.

\* If leaving property unattended due to vacation, moving, work, etc., please have a third party check on the property to verify that the heat is working, especially during freezing temperatures.

## If You Live on the South Shore...



**Anderson Fuel has the Answer to Your Heating & Air Conditioning Needs!**

**331 Gannett Road  
Scituate, MA 02066  
781-545-0123**

**www.andersonfuel.com**

Revised January, 2021

# Comfort, Service & Dependability

*from our family to yours.*



## The Anderson Plan



**75<sup>th</sup> Anniversary**  
Year round comfort since 1946!

**781-545-0123**

## We are Pleased to Present The Anderson Plan

For over 75 years ANDERSON FUEL has been serving the South Shore's heating needs. Our state licensed and certified technicians are available 24-hours a day, 365 days a year. The ANDERSON PLAN is key to getting maximum attainable efficiency and comfort when you need it most.

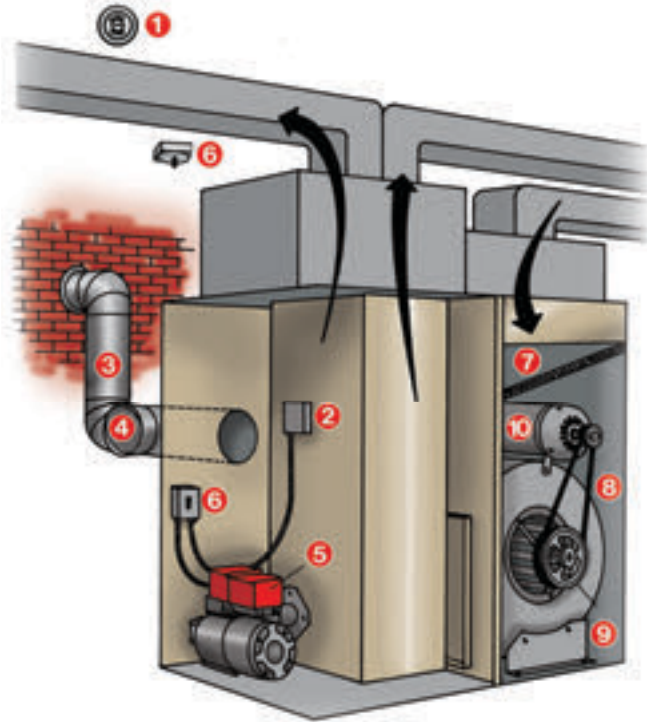
The Plan guards against costly or unexpected cash outlays should parts fail during the course of normal operations. The Plan is available to residential heating oil customers on automatic delivery who purchase 100% of their heating oil requirements from ANDERSON FUEL. We limit our coverage area to nine towns allowing us to offer you superior response time.

*This coverage is available to you at less than half the cost of the average monthly cellphone bill.*

### The Plan Includes the Following:

- \* Visual inspection. Vacuum cleaning of the heating appliance and flue pipe to the chimney base as necessary.
- \* Remove, clean and/or replace ignition system, nozzle assembly, electrodes and filters.
- \* Lubrication of motors.
- \* Clean and calibrate controls as required.
- \* Inspection of all safety devices.
- \* Adjust and regulate flame.
- \* Conduct efficiency test of the heating appliance and post results nearby.
- \* FREE labor 365-days a year, 24-hours a day ...for the length of the Plan for calls connected ...with parts covered under the plan. ...See diagram for parts covered.

# FURNACE

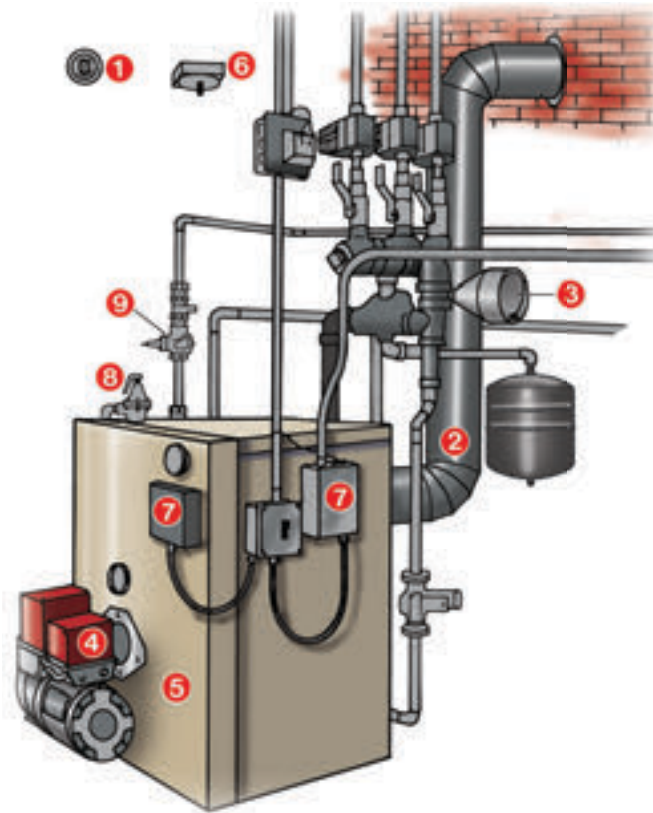


- ① Standard Thermostat (Non-Programmable)\*
- ② Fan/Limit Switch
- ③ Flue Pipe
- ④ Draft Regulator
- ⑤ Safety Control
- ⑥ Thermal Switch
- ⑦ Standard air filter, 1 change
- ⑧ Fan belt
- ⑨ Blower pulley and bearings
- ⑩ Blower motor\*\* (ECM motors not covered)

\* labor covered, part not included

\*\* Not covered when used in conjunction with central air conditioning systems.

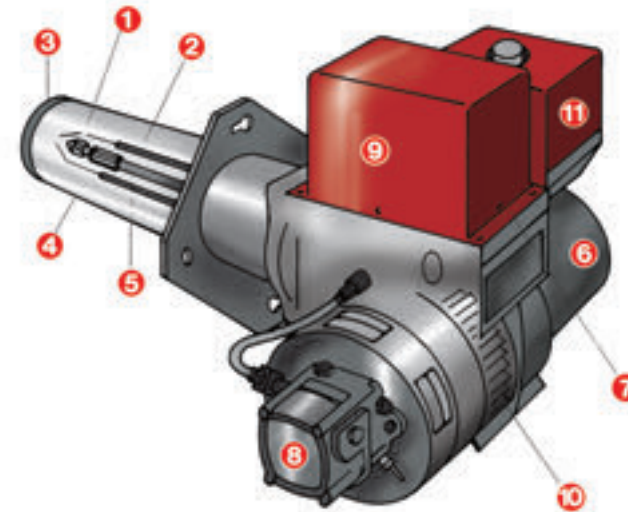
# BOILER



- ① Standard Thermostat (Non-Programmable)\*
- ② Flue Pipe
- ③ Draft Regulator
- ④ Safety Control
- ⑤ Combustion Chamber\*
- ⑥ Thermal Switch
- ⑦ Standard Operating Controls (non OEM) - Pressuretrol\* (Steam System)
- ⑧ Pressure Relief Valve
- ⑨ Pressure Reducing Valve + Backflow Preventer

\* labor covered, part not included

# BURNER



- ① Nozzle
- ② Electrodes
- ③ End Cone
- ④ Blast Tube
- ⑤ Nozzle Line Assembly: a. Line Heater b. Jet Line
- ⑥ Burner Motor
- ⑦ Cad Cell
- ⑧ Fuel Pump Solenoid Valve Firomatic Valve
- ⑨ Igniter
- ⑩ Burner Fan & Coupling
- ⑪ Primary Control



## General Terms, Conditions & Exclusions

ANDERSON FUEL is not responsible for any costs, expenses, claims, liabilities, or damages arising out of the extraction of oil spills, pollutants, or chemicals from the plan holder's property, surrounding area, environment or bodies of water located on the property or adjacent thereto, nor is ANDERSON FUEL responsible for any contamination stemming from the extraction process itself regardless of cause. The homeowner/plan holder agrees to hold harmless ANDERSON FUEL from any and all claims, expenses or damages arising out of any escape of oil, pollutants, and/or chemicals of any kind.

ANDERSON FUEL will not be responsible for, and does not guarantee the condition of the oil tank(s) and the oil line(s) connecting to the heating oil appliance (burner).

Failure to maintain acceptable credit rating with ANDERSON FUEL or otherwise being in arrears for service, oil or installation billings will void the plan.

The plan is void if the customer allows anyone other than ANDERSON FUEL personnel or authorized representatives to work on the heating appliance and related accessories.

The plan does not cover parts or appliances that are deemed obsolete and/or no longer manufactured. We do not cover Power Venters, System 2000 TM managers or draft inducers.

We do not cover handling or remediation of asbestos or any equipment containing asbestos.

All Air Conditioning parts and labor are not covered under the Plan and are fully chargeable on a time and material basis.

Warranties: Certain parts may be covered by manufacturers' warranties then in effect. ANDERSON FUEL makes no warranties for the parts under this agreement as to their merchantability or fitness for any purpose.

**CALL TODAY for Maximum Heating Comfort & Savings for YOUR Home!**